

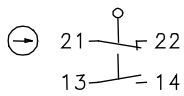
Safety switch

Series SLK – with separate actuator

Description **SLK-FVTU24UC-55-ARX HVG**

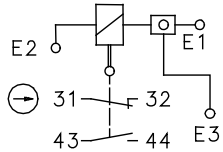
Article number **6118119157**

Position monitoring of guard locking

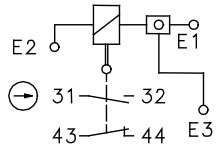


Termination electromagnet with contact position

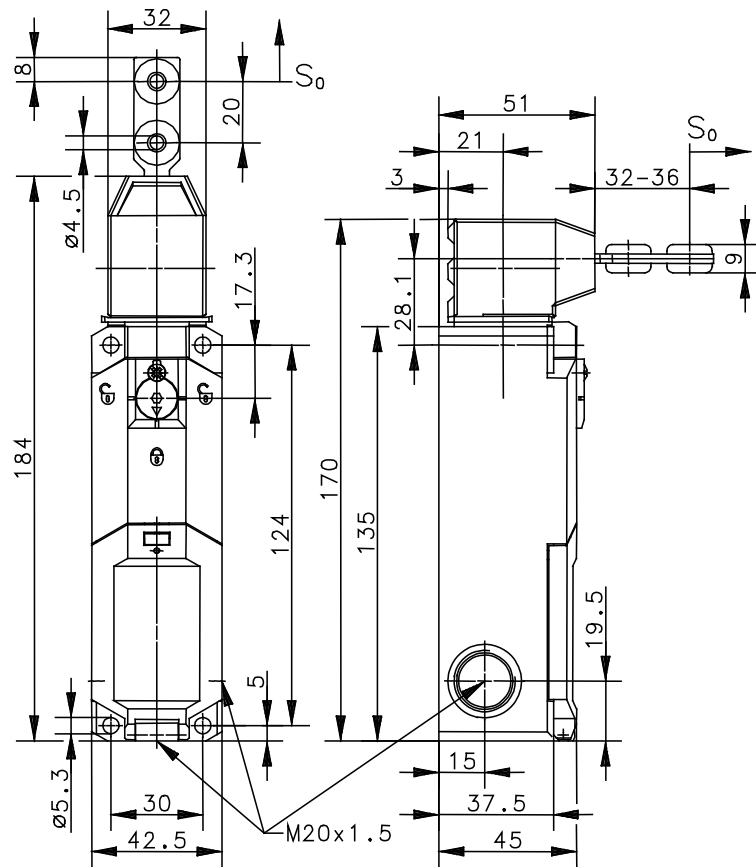
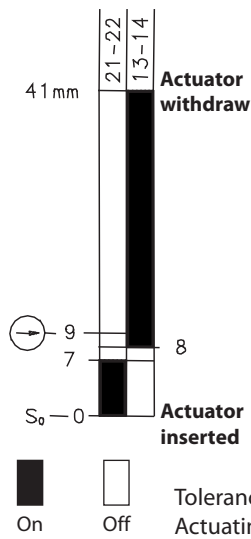
E1/E3, E2 without current



E1/E3, E2 with current



Operating diagram



Electrical data	
Protection class	II, totally insulated
Contact elements	
Rated insulation voltage	U_i 250 V
Conv. thermal current	I_{the} 2,5 A
Utilization category	AC-15, U_e / I_e 230 V / 2,5 A
Direct opening action	⊖ according to IEC/EN 60947-5-1, Annex K
Short-circuit protective device	4 A gG
Electro magnets	
Duty cycle	100 % ED (at E1/E3; E2)
Temperature class	B (130 °C)
Inrush power consumption	56 VA (0,2 s)
Permanent power consumption	1,1 VA
Switch operations permanent	600 / h
Operating voltage	24 V DC/AC

Mechanical data	
Enclosure	Thermoplastic, glass fibre reinforced (UL 94-V0)
Cover	Thermoplastic, glass fibre reinforced (UL 94-V0)
Actuating head	Thermoplastic, glass fibre reinforced / Zn-GD
Actuator	Separate actuator (St/PA)
Minimum actuating radius	R_{min} 400 mm
Velocity for actuating	V_{max} 0,5 m/s
Extraction force	≥ 27 N
Interlocking principle	Spring force
Unlocking	a) magnetic force b) auxiliary release
Hold on force	F_{zh} ≤ 1500 N acc. to GS-ET-19
Ambient air temperature	-25 °C ... +70 °C
Contact type	2 N.C., 2 N.O.
Switching principle	4 slow make and break contact elements
Contacts	fine gold-plated (Our guideline values are valid for the gold-plated switch contacts.)
Mechanical life	1 x 10 ⁶ switching cycles (at max. 600 switch operations / h)
Assembly	4 x M5
Connection	Cage tension spring
Conductor cross-sections	≤ 0,75 mm ² flexible wire without/ with ferrule Tightening torque 0,4 Nm
Cable entrance	3 x M20 x 1,5
Weight	≈ 0,36 kg
Installation position	operator definable
Protection type	IP67 acc. to IEC/EN 60529

Actuation
4 different actuating directions achievable by rotating the actuating head. Changing between horizontal and vertical actuating direction by setting the actuating head in the requested direction.

Standards	
	VDE 0660 T100, DIN EN 60947-1, IEC 60947-1
	VDE 0660 T200, DIN EN 60947-5-1, IEC 60947-5-1
	GS-ET-19

EU Conformity	
	acc. to directive 2014/35/EU (Low-Voltage-Directive)

Notes	
<p>The degree of protection (IP code) specified applies solely to a property closed cover and the use of an equivalent cable gland with adequate cable.</p> <p>The switch may not be used as a mechanical stop.</p> <p>When power is removed from the electromagnet (solenoid) the safety guard will be in locked position.</p> <p>To operate the backside auxiliary release loosen the screw, swivel the cover and turn the hexagonal nut into unlocked position.</p>	